



Performance Heating, LLC - Data Sheet

OMV Series - Vertical

Thermal Fluid Heater (Coil Type)

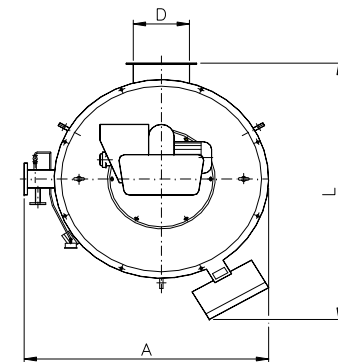
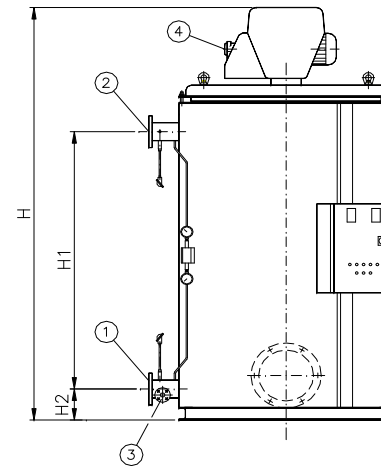
Heater Features		200	300	400	600	800	1000	1250	1500	2000	2500	3000	4000	5000
Thermal Capacity	kCal/hr	200,000	300,000	400,000	600,000	800,000	1,000,000	1,250,000	1,500,000	2,000,000	2,500,000	3,000,000	4,000,000	5,000,000
	kW	234	352	469	703	938	1,172	1,465	1,758	2,345	2,931	3,517	4,689	5,861
Efficiency (100%Load)	%	86	86	86	86	87	87	87	87	87	87	87	87	87
Efficiency (75% Load)	%	87	87	87	87	88	88	88	88	88	88	88	88	88
Temp. Differential	Δ°C	30	30	30	30	30	33	40	40	40	40	40	40	50
Pressure Drop	bar	1	1	0.6	1.3	1.1	1.4	0.7	1.1	0.8	1.5	1.5	2.0	2.0
Flow Rate	m ³ /hr	20	20	25	40	60	60	65	75	105	125	150	205	205
L Length	mm	1250	1400	1620	1620	1880	1880	2020	2020	2120	2420	2470	2700	2700
A Width	mm	1200	1300	1380	1380	1600	1600	1790	1790	1950	2140	2330	2665	2665
H Height	mm	2050	2090	2450	2550	3350	3350	3420	3600	4000	4350	4600	5360	6120
H1 Oil Inlet/Outlet (CL)	mm			1275	1275	1993	1993	2023	2023	2225	2340	2570	3220	4020
H2 Oil Inlet (Elevation)	mm			278	278	310	310	244	244	244	350	350	352.5	355
D Exhaust Diameter	mm	314	314	314	314	400	400	400	400	400	470	470	535	600
Oil Inlet/Outlet Flange	mm	50	65	80	80	100	100	125	125	125	150	150	150	200
Oil Content	L	75	96	165	165	418	418	670	670	1070	1083	1530	1950	2970
Weight (Empty)	kg	1100	1400	1600	1600	2800	2800	4300	4300	4500	6300	7600	12600	14600

Design Notes:

- (A) All flange connections are ANSI 300#
- (B) Standard design pressure is 145 psi
- (C) A standard burner has been used for dimensioning purposes
- (D) Multiple burner fuel options are available
- (E) Vertical orientations are available
- (F) Higher efficiency options are available (Model OMV-PA)

Additional Options:

- (A) Circulation pumps for thermal fluid heater
- (B) Motor control panel(s) for circulation pump and burner
- (C) Expansion tank(s) with or without tank tower
- (D) Inert gas blankets for the expansion tank
- (E) Drain tank(s) for above ground installation
- (F) Gear pump for system filling or draining
- (G) Skid assembly of heater and/or ancillary components
- (H) Complete packaged systems are available for easy installation
- (I) Containerized equipment is available
- (J) PLC for enhanced DCS communication



Canon
BONO ENERGIA